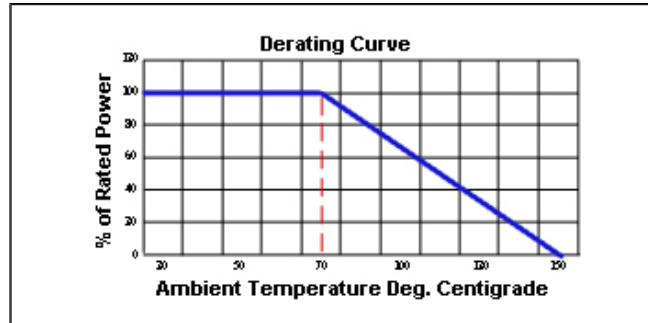
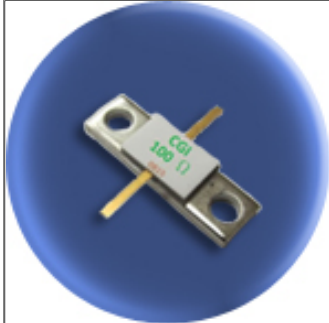


Component General, Inc.

P/N: CBRN-100

Aluminum Nitrate Stripline Base Mounted Resistors



Mechanical Specifications

Covers:

Alumina Ceramic.

Substrate:

Aluminum Nitride (ALN) Ceramic.

Contact:

Beryllium Copper, Gold Plated per MIL-G-45204.

Length: 0.125" Min., Width: 0.040", Thickness 0.004" ± 0.002".

Heat Sink:

Copper, Nickel Plated per QQ-N-290.

Tolerance:

± 0.010" unless specified.

Electrical Specifications

Resistance Value:

10 - 1000 Ω or as required. Other values available upon request.

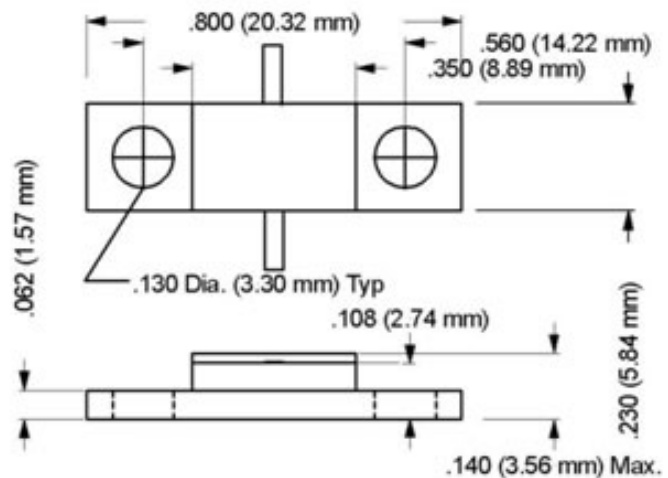
Frequency Range:

DC - 2.5 GHz

Standard Resistance Tolerance:

± 5% Other tolerances available upon request.

Part Dimensions

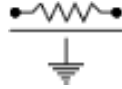
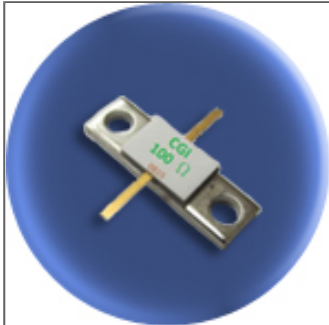


Note: The use of thermal mounting compound is recommended.
Consult factory for S parameters.

Component General, Inc.

P/N: CBRN-100

Aluminum Nitrate Stripline Base Mounted Resistors



Note: The use of thermal mounting compound is recommended.

Consult factory for S parameters.

Smith Chart Impedance

