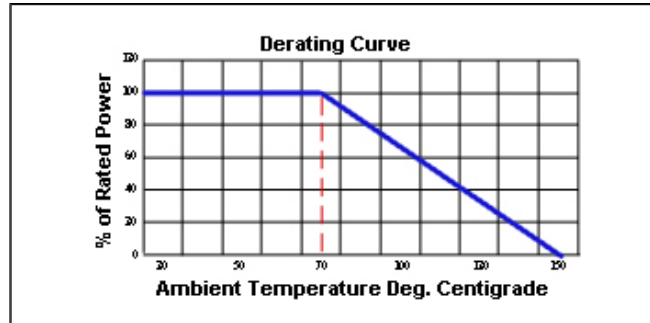
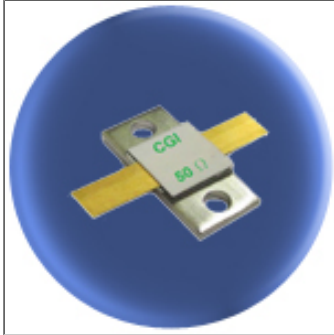


# Component General, Inc.

**P/N: CBRN-400**

**Aluminum Nitrate Stripline Base Mounted Resistors**



## Mechanical Specifications

### Covers:

Alumina Ceramic.

### Substrate:

Aluminum Nitride (ALN) Ceramic.

### Contact:

Beryllium Copper, Gold Plated per MIL-G-45204.  
Length: 0.125" Min., Width: 0.250",  
Thickness 0.004"  $\pm$  0.002".

### Heat Sink:

Copper, Nickel Plated per QQ-N-290.

### Tolerance:

$\pm$  0.010" unless specified.



Note: The use of thermal mounting compound is recommended.  
Consult factory for S parameters.

## Electrical Specifications

### Resistance Value:

10 - 1000  $\Omega$  or as required. Other values available upon request.

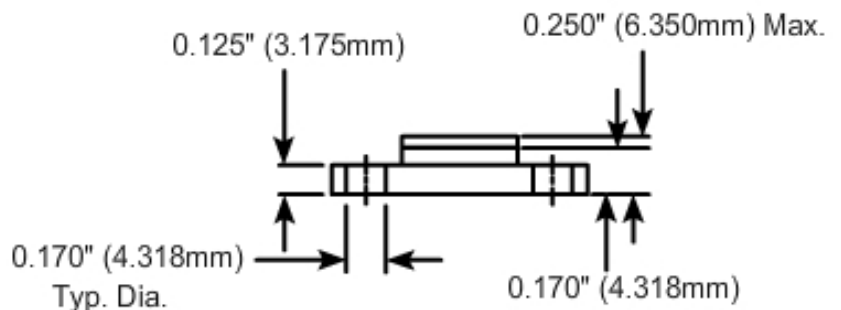
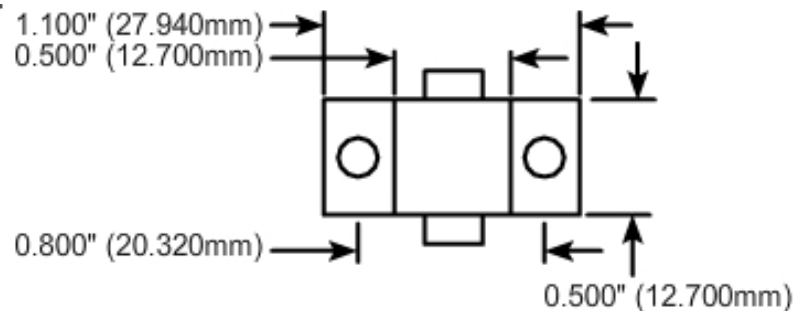
### Frequency Range:

DC - 2.5 GHz

### Standard Resistance Tolerance:

$\pm$  5% Other tolerances available upon request.

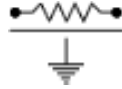
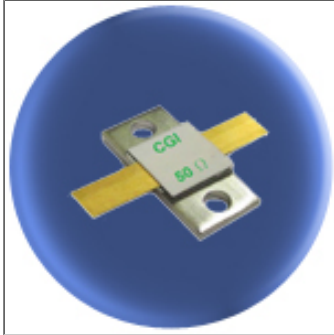
## Part Dimensions



# Component General, Inc.

P/N: CBRN-400

Aluminum Nitrate Stripline Base Mounted Resistors

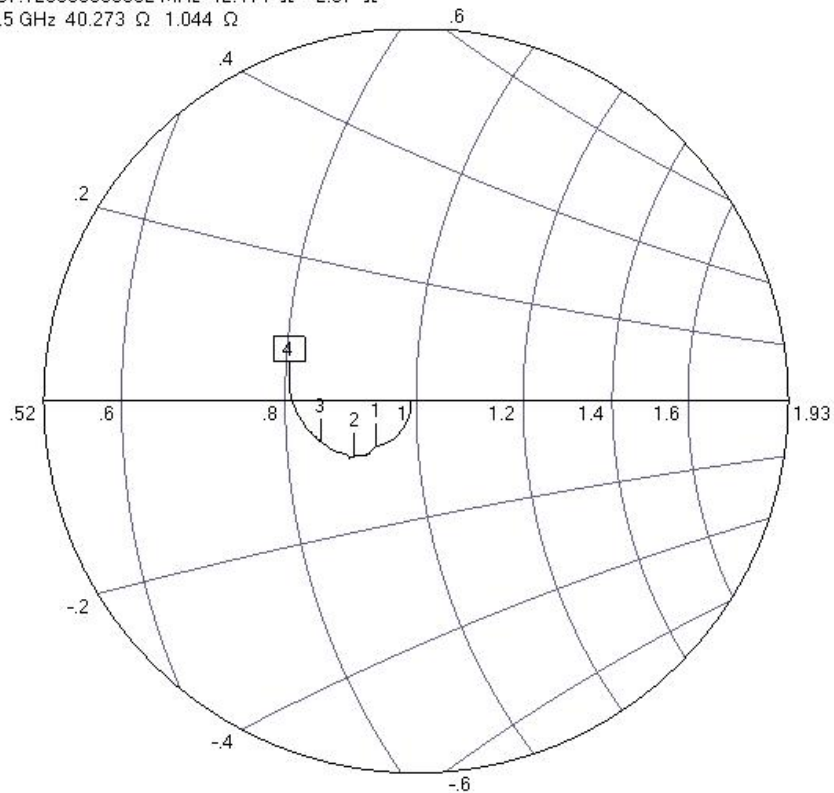


Note: The use of thermal mounting compound is recommended.  
Consult factory for S parameters.

## Smith Chart Impedance

► **T1** S11 Refl Smith Imped. Scaling: -10 dB

M1 : 537.7083333333333 MHz 46.581  $\Omega$  -3.667  $\Omega$   
M2 : 748.7916666666667 MHz 44.813  $\Omega$  -4.316  $\Omega$   
M3 : 997.1250000000002 MHz 42.414  $\Omega$  -2.97  $\Omega$   
>M4 : 1.5 GHz 40.273  $\Omega$  1.044  $\Omega$



Ch1 TR Start 10 MHz Stop 1.5 GHz IFBW: 1 kHz Avg OFF Measuring State CORR

727-376-6655 or 800-246-4084