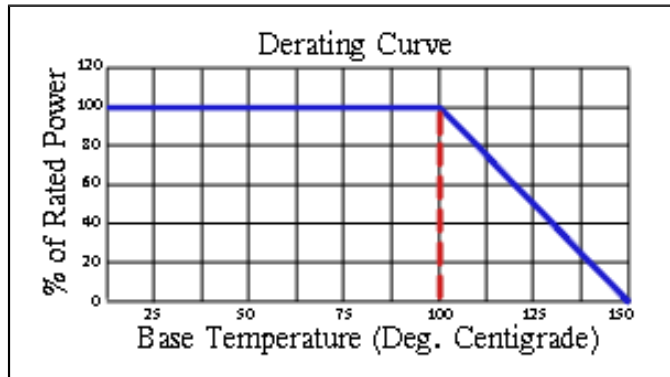
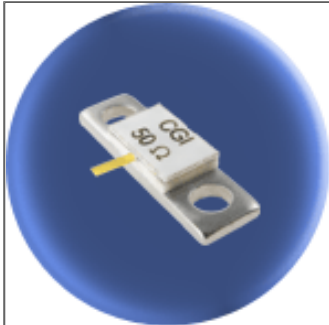


Component General, Inc.

P/N: CBT-40

Stripline Base Mounted Terminations



Mechanical Specifications

Covers:

Alumina Ceramic.

Substrate:

Beryllium Oxide Ceramic.

Contact:

Beryllium Copper, Gold Plated per MIL-G-45204.

Length: 0.125" Min., Width: 0.040", Thickness 0.004" ± 0.002".

Heat Sink:

Copper, Nickel Plated per QQ-N-290.

Tolerance:

± 0.010" unless specified.

Electrical Specifications

Resistance Value:

10 - 1000 Ω or as required.
Other values available upon request.

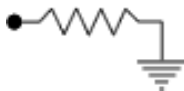
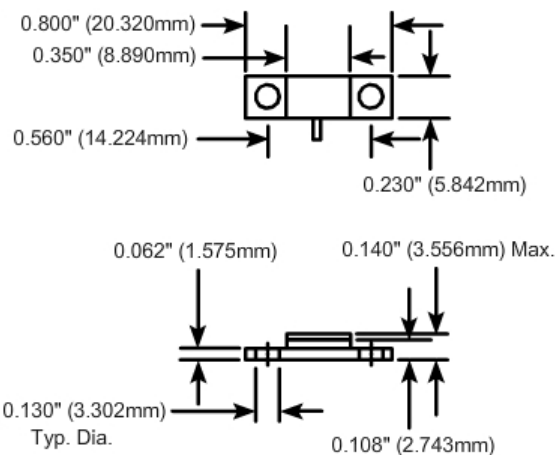
Frequency Range: VSWR (Max.):

DC - 6.0 GHz 1.25:1

Standard Resistance Tolerance:

± 5% Other tolerances available upon request.

Part Dimensions



Note: The use of thermal mounting compound is recommended.