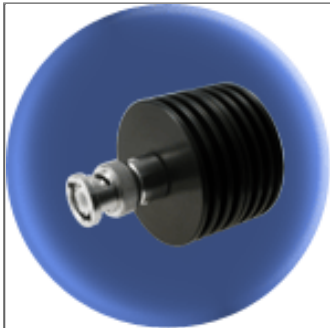


Component General, Inc.

P/N:CFT-35 BM

Coaxial BNC Series



Electrical Specifications

Average Power:

35 W.

Frequency Range: **VSWR (Max.):**

DC - 2.0 GHz

1.20:1

2.0 - 4.0 GHz

1.30:1

Peak Power:

3.0 KW.

Impedance:

50 Ω

Mechanical Specifications

Connector:

Brass, Nickel plated.

Contact:

Brass, Silver plated.

Housing:

Aluminum, Black Anodized.

Insulator:

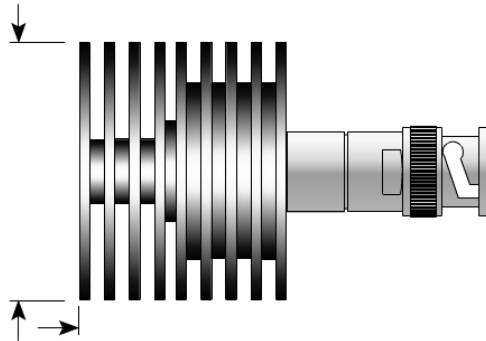
PTFE, Virgin grade.

Weight:

75.0 Grams.

Part Dimensions

1.650" (41.910mm)



2.200" (55.880mm)

