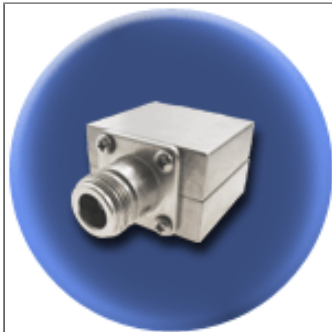


# Component General, Inc.

P/N:CHT - 250-1 NF

Coaxial Terminations



## Electrical Specifications

### Power:

250 W on Adequate  
Heat Sink.

### Frequency Range:

DC - 1.0 GHz

### VSWR (Max.):

1.10:1

### Impedance:

50  $\Omega$

## Mechanical Specifications

### Cover:

Copper, Nickel Plated.

### Connector:

Brass, Nickel plated.

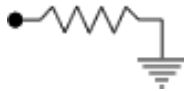
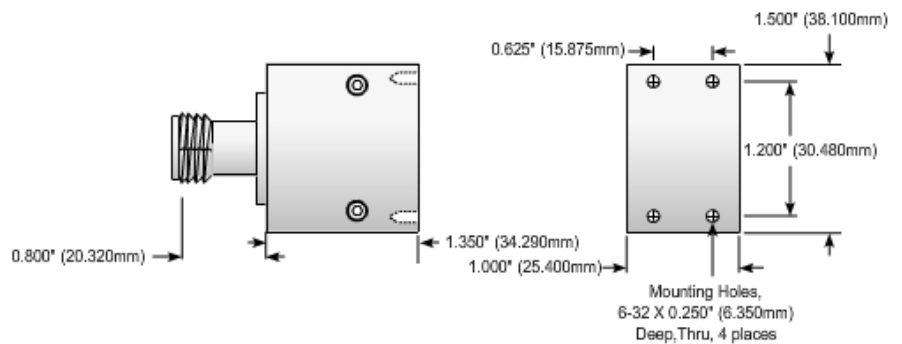
### Housing:

Copper, Nickel Plated.

### Insulator:

PTFE, Virgin grade.

## Part Dimensions



Note: Mounting hole spacing can be altered to meet your needs.

The CHT Series high power coaxial terminations are conduction cooled loads. They are designed to be mounted on a heat sink ground plane or a chill plate. The power ratings require that the base plate of the CHT-15-2 does not exceed 100°C or 85°C for all other sizes.



2445 Success Drive Odessa, FL 33556  
727-376-6655 or 800-246-4084