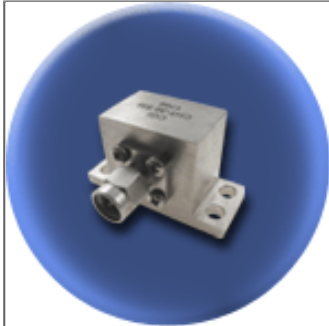


# Component General, Inc.

P/N: CHT-30 SM

Coaxial Terminations



## Electrical Specifications

### Power:

30 W.

### Impedance:

50  $\Omega$

### Frequency Range: VSWR (Max.):

DC - 4.0 GHz	1.25:1
4.0 - 8.0 GHz	1.35:1
8.0 - 18.0 GHz	1.40:1

## Mechanical Specifications

### Connector:

Stainless Steel, Passivated.

### Contact:

Beryllium Copper, Silver plated.

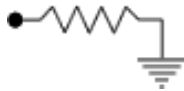
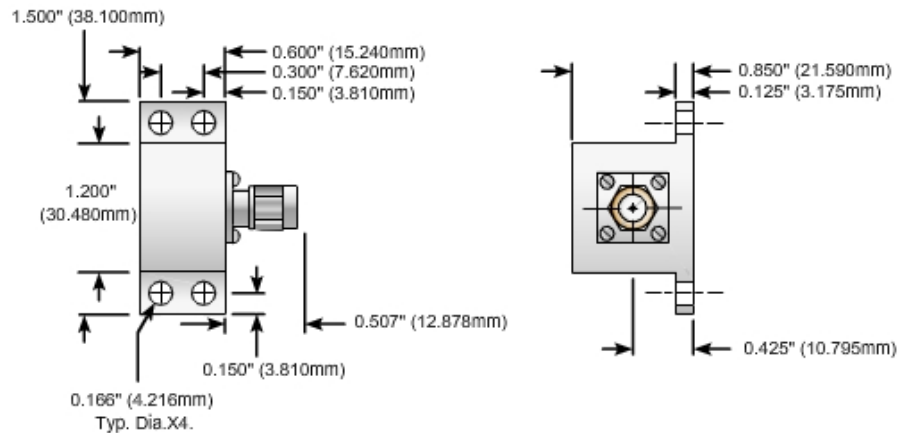
### Housing:

Copper, Nickel plated.

### Insulator:

PTFE, Virgin grade.

## Part Dimensions



The CHT Series high power coaxial terminations are conduction cooled loads. They are designed to be mounted on a heat sink ground plane or a chill plate. The power ratings require that the base plate of the CHT-15-2 does not exceed 100°C or 85°C for all other sizes.



2445 Success Drive Odessa, FL 33556  
727-376-6655 or 800-246-4084