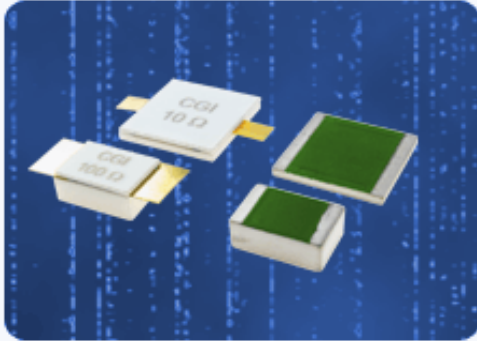


Component General, Inc.

■ Stripline Chip Resistors

■ MECHANICAL SPECIFICATIONS



Substrate : Beryllium Oxide Ceramic.
Resistive Element : Proprietary Thick Film.
Terminals : Proprietary Silver.
Tolerance : $\pm .005$ " Except where noted (*), then $\pm .010$ "

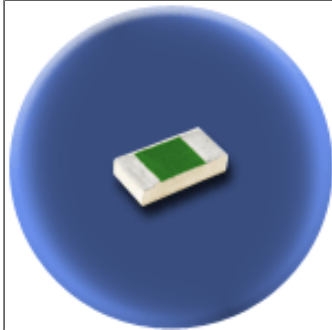
high power chip Terminations product selection chart

CGI P/N	Power	Resistance (Ohms)	Standard Tolerance
Note: Click a part number from the list below to see a data sheet for that part.			
CPR-100-2	62 W	10 - 1000	2 %
CPR-100-2B	40 W	10 - 1000	2 %
CPR-230-1	150 W	10 - 1000	2 %
CPR-230-2	40 W	10 - 1000	2 %
CPR-250-1A	170 W	10 - 1000	2 %
CPR-250-1B	80 W	10 - 1000	2 %
CPR-250-2A	330 W	10 - 1000	2 %
CPR-250-2B	100 W	10 - 1000	2 %
CPR-250-2C	160 W	10 - 1000	2 %
CPR-375-1	350 W	10 - 1000	2 %
CPR-375-1B	250 W	10 - 1000	2 %
CPR-500-1*	500 W	10 - 1000	2 %
CPR-625-1*	700 W	10 - 1000	2 %
CPR-625-2*	185 W	10 - 1000	2 %
CPR-1000-1*	1000 W	10 - 1000	2 %

Component General, Inc.

P/N: CPR-100-2

Stripline Chip Resistors



Mechanical Specifications

Substrate:

Beryllium Oxide Ceramic.

Resistive Element :

Proprietary thick film.

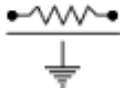
Terminals:

Proprietary Silver.

Tolerance:

± 0.005" unless specified.

Note: Power is based on infinite and ideal heat sink with the heat sink at 100°C



Electrical Specifications

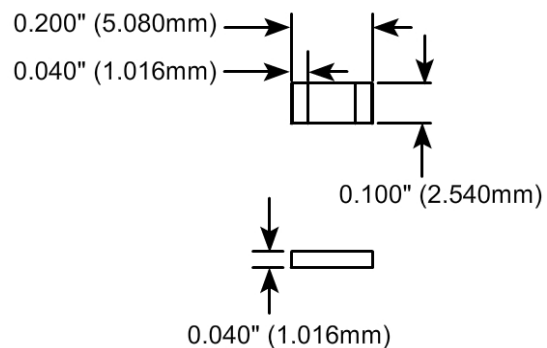
Resistance Value:

10 - 1000 Ω as required. Other values available upon request.

Standard Resistance Tolerance:

± 2% Other tolerances available upon request.

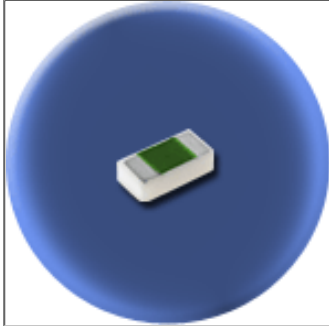
Part Dimensions



Component General, Inc.

P/N: CPR-100-2B

Stripline Chip Resistors



Mechanical Specifications

Substrate:

Beryllium Oxide Ceramic.

Resistive Element :

Proprietary thick film.

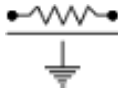
Terminals:

Proprietary Silver.

Tolerance:

± 0.005" unless specified.

Note: Power is based on infinite and ideal heat sink with the heat sink at 100°C



Electrical Specifications

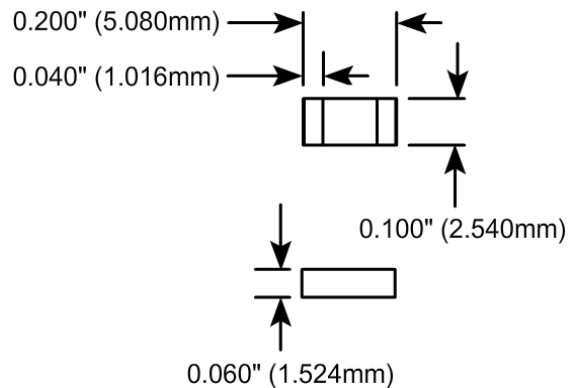
Resistance Value:

10 - 1000 Ω as required. Other values available upon request.

Standard Resistance Tolerance:

2% Other tolerances available upon request.

Part Dimensions



Component General, Inc.

P/N: CPR-230-1

Stripline Chip Resistors

high power thick film resistors



Mechanical Specifications

Substrate:

Beryllium Oxide Ceramic.

Resistive Element :

Proprietary thick film.

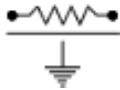
Terminals:

Proprietary Silver.

Tolerance:

± 0.005" unless specified.

Note: Power is based on infinite and ideal heat sink with the heat sink at 100°C



Electrical Specifications

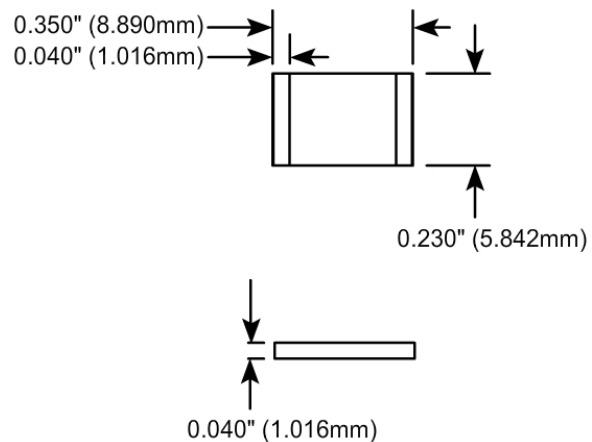
Resistance Value:

10 - 1000 Ω as required. Other values available upon request.

Standard Resistance Tolerance:

± 2% Other tolerances available upon request.

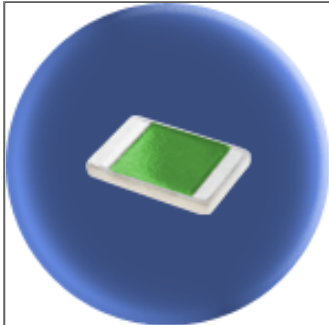
Part Dimensions



Component General, Inc.

P/N: CPR-230-2

Stripline Chip Resistors



Mechanical Specifications

Substrate:

Beryllium Oxide Ceramic.

Resistive Element :

Proprietary thick film.

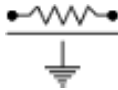
Terminals:

Proprietary Silver.

Tolerance:

± 0.005" unless specified.

Note: Power is based on infinite and ideal heat sink with the heat sink at 100°C



Electrical Specifications

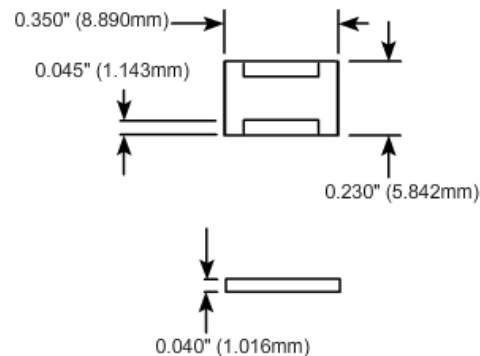
Resistance Value:

10 - 1000 Ω as required. Other values available upon request.

Standard Resistance Tolerance:

± 2% Other tolerances available upon request.

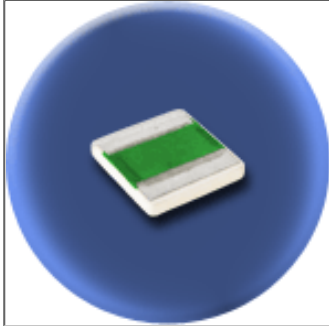
Part Dimensions



Component General, Inc.

P/N: CPR-250-1A

Stripline Chip Resistors



Mechanical Specifications

Substrate:

Beryllium Oxide Ceramic.

Resistive Element :

Proprietary thick film.

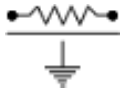
Terminals:

Proprietary Silver.

Tolerance:

± 0.005" unless specified.

Note: Power is based on infinite and ideal heat sink with the heat sink at 100°C



Electrical Specifications

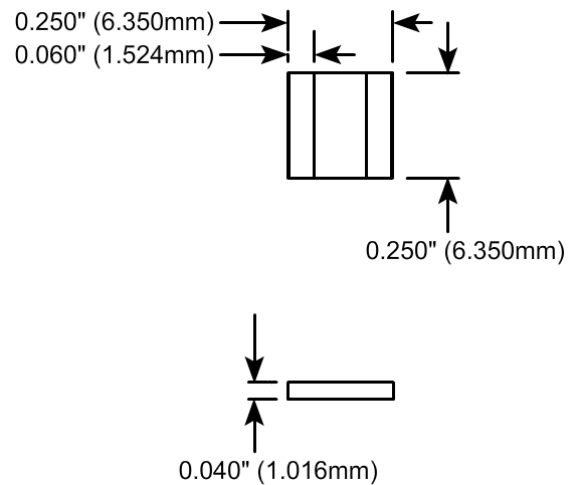
Resistance Value:

10 - 1000 Ω as required. Other values available upon request.

Standard Resistance Tolerance:

± 2% Other tolerances available upon request.

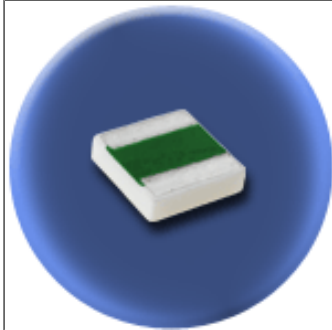
Part Dimensions



Component General, Inc.

P/N: CPR-250-1B

Stripline Chip Resistors



Mechanical Specifications

Substrate:

Beryllium Oxide Ceramic.

Resistive Element :

Proprietary thick film.

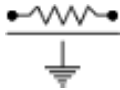
Terminals:

Proprietary Silver.

Tolerance:

± 0.005" unless specified.

Note: Power is based on infinite and ideal heat sink with the heat sink at 100°C



Electrical Specifications

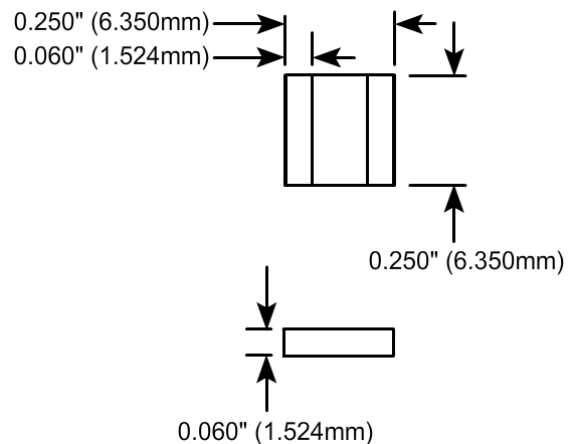
Resistance Value:

10 - 1000 Ω as required. Other values available upon request.

Standard Resistance Tolerance:

± 2% Other tolerances available upon request.

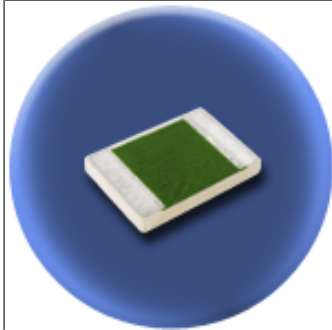
Part Dimensions



Component General, Inc.

P/N: CPR-250-2A

Stripline Chip Resistors



Mechanical Specifications

Substrate:

Beryllium Oxide Ceramic.

Resistive Element :

Proprietary thick film.

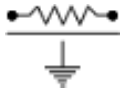
Terminals:

Proprietary Silver.

Tolerance:

± 0.005" unless specified.

Note: Power is based on infinite and ideal heat sink with the heat sink at 100°C



Electrical Specifications

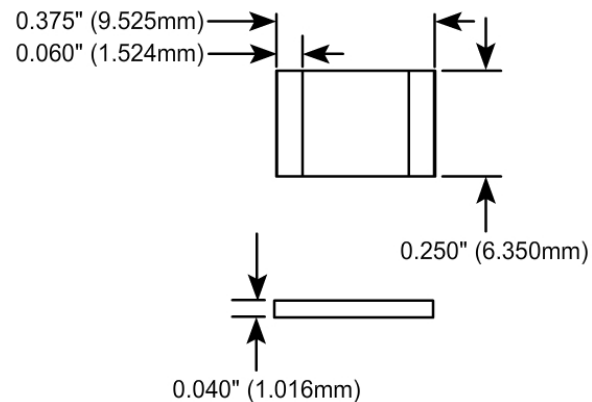
Resistance Value:

10 - 1000 Ω as required. Other values available upon request.

Standard Resistance Tolerance:

± 2% Other tolerances available upon request.

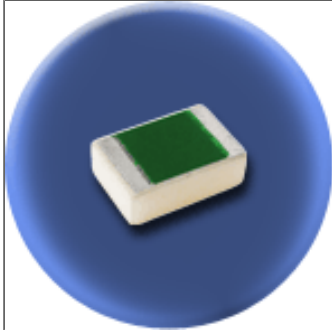
Part Dimensions



Component General, Inc.

P/N: CPR-250-2B

Stripline Chip Resistors



Mechanical Specifications

Substrate:

Beryllium Oxide Ceramic.

Resistive Element :

Proprietary thick film.

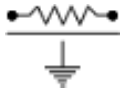
Terminals:

Proprietary Silver.

Tolerance:

± 0.005" unless specified.

Note: Power is based on infinite and ideal heat sink with the heat sink at 100°C



Electrical Specifications

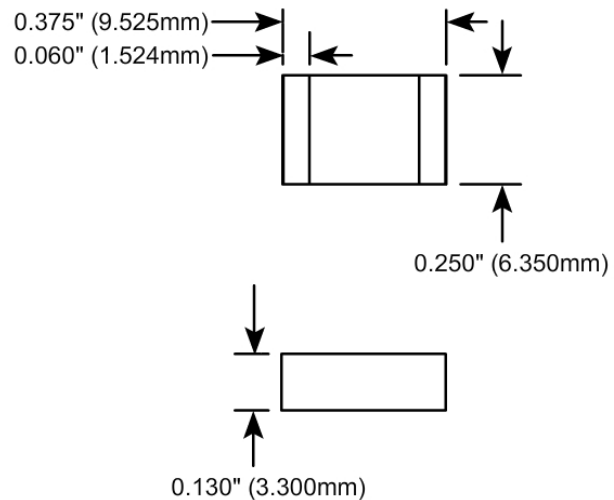
Resistance Value:

10 - 1000 Ω as required. Other values available upon request.

Standard Resistance Tolerance:

± 2% Other tolerances available upon request.

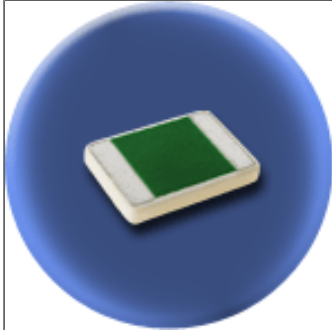
Part Dimensions



Component General, Inc.

P/N: CPR-250-2C

Stripline Chip Resistors



Mechanical Specifications

Substrate:

Beryllium Oxide Ceramic.

Resistive Element :

Proprietary thick film.

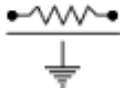
Terminals:

Proprietary Silver.

Tolerance:

± 0.005" unless specified.

Note: Power is based on infinite and ideal heat sink with the heat sink at 100°C



Electrical Specifications

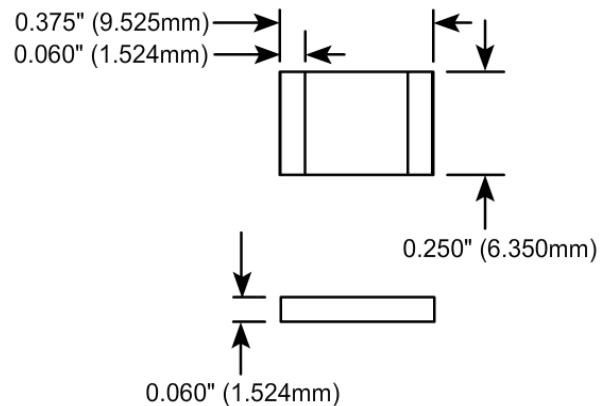
Resistance Value:

10 - 1000 Ω as required. Other values available upon request.

Standard Resistance Tolerance:

± 2% Other tolerances available upon request.

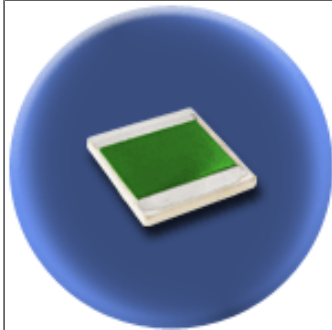
Part Dimensions



Component General, Inc.

P/N: CPR-375-1

Stripline Chip Resistors



Mechanical Specifications

Substrate:

Beryllium Oxide Ceramic.

Resistive Element :

Proprietary thick film.

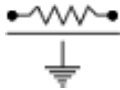
Terminals:

Proprietary Silver.

Tolerance:

± 0.005" unless specified.

Note: Power is based on infinite and ideal heat sink with the heat sink at 100°C



Electrical Specifications

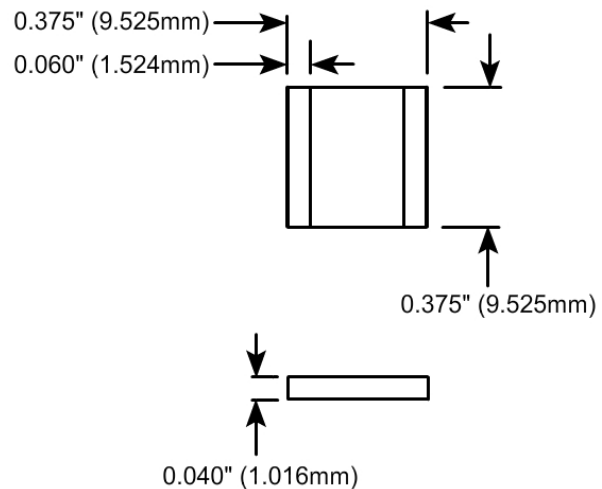
Resistance Value:

10 - 1000 Ω as required. Other values available upon request.

Standard Resistance Tolerance:

± 2% Other tolerances available upon request.

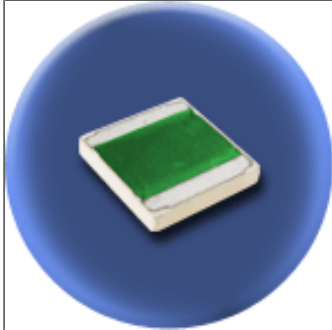
Part Dimensions



Component General, Inc.

P/N: CPR-375-1B

Stripline Chip Resistors



Mechanical Specifications

Substrate:

Beryllium Oxide Ceramic.

Resistive Element :

Proprietary thick film.

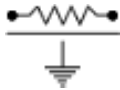
Terminals:

Proprietary Silver.

Tolerance:

± 0.005" unless specified.

Note: Power is based on infinite and ideal heat sink with the heat sink at 100°C



Electrical Specifications

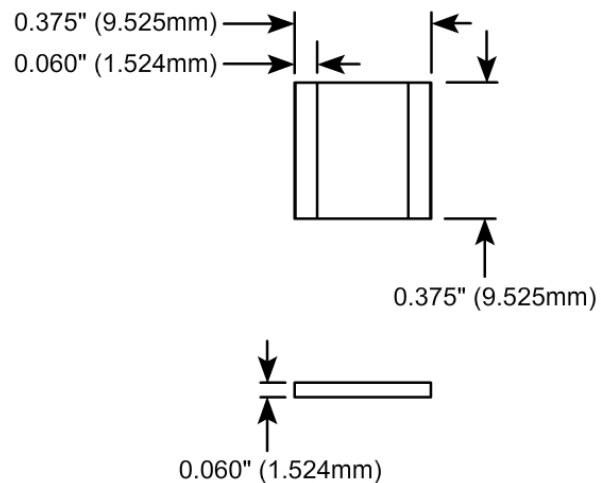
Resistance Value:

10 - 1000 Ω as required. Other values available upon request.

Standard Resistance Tolerance:

± 2% Other tolerances available upon request.

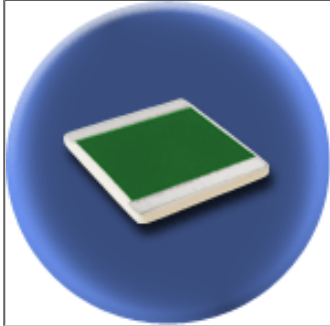
Part Dimensions



Component General, Inc.

P/N: CPR-500-1

Stripline Chip Resistors



Mechanical Specifications

Substrate:

Beryllium Oxide Ceramic.

Resistive Element :

Proprietary thick film.

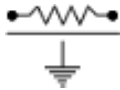
Terminals:

Proprietary Silver.

Tolerance:

± 0.010" unless specified.

Note: Power is based on infinite and ideal heat sink with the heat sink at 100°C



Electrical Specifications

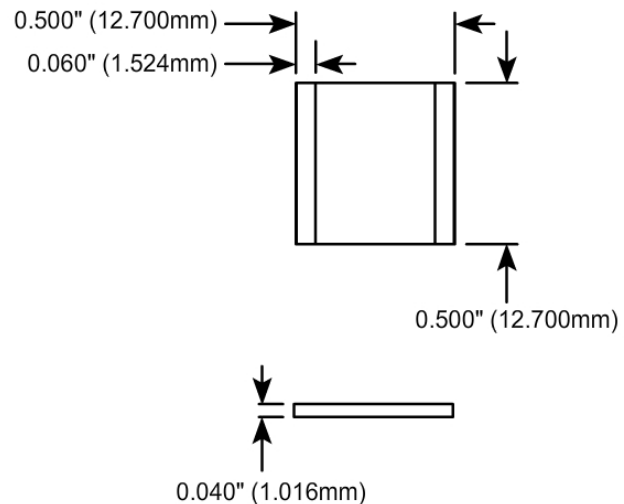
Resistance Value:

10 - 1000 Ω as required. Other values available upon request.

Standard Resistance Tolerance:

± 2% Other tolerances available upon request.

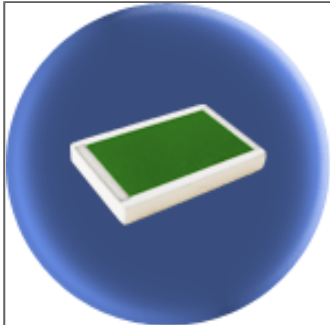
Part Dimensions



Component General, Inc.

P/N: CPR-625-1

Stripline Chip Resistors



Mechanical Specifications

Substrate:

Beryllium Oxide Ceramic.

Resistive Element :

Proprietary thick film.

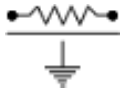
Terminals:

Proprietary Silver.

Tolerance:

± 0.010" unless specified.

Note: Power is based on infinite and ideal heat sink with the heat sink at 100°C



Electrical Specifications

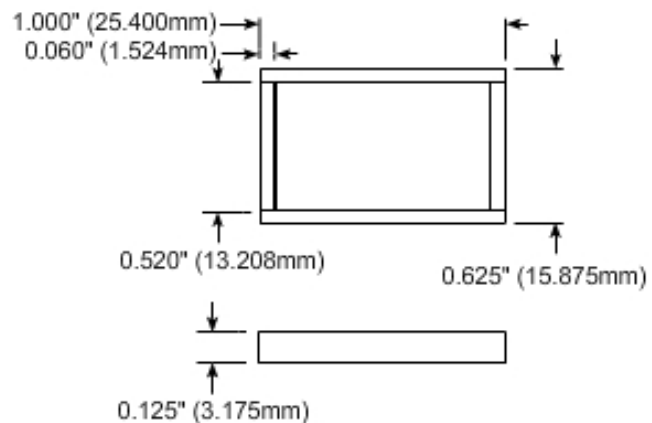
Resistance Value:

10 - 1000 Ω as required. Other values available upon request.

Standard Resistance Tolerance:

± 2% Other tolerances available upon request.

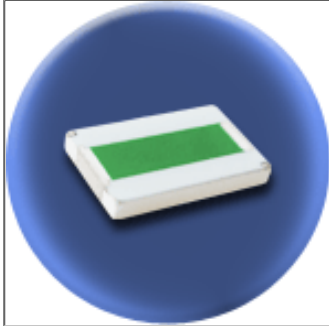
Part Dimensions



Component General, Inc.

P/N: CPR-625-2

Stripline Chip Resistors



Mechanical Specifications

Substrate:

Beryllium Oxide Ceramic.

Resistive Element :

Proprietary thick film.

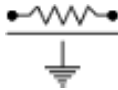
Terminals:

Proprietary Silver.

Tolerance:

± 0.010" unless specified.

Note: Power is based on infinite and ideal heat sink with the heat sink at 100°C



Electrical Specifications

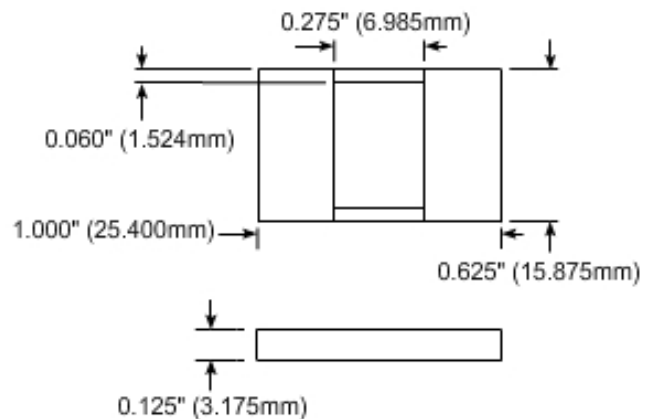
Resistance Value:

10 - 1000 Ω as required. Other values available upon request.

Standard Resistance Tolerance:

± 2% Other tolerances available upon request.

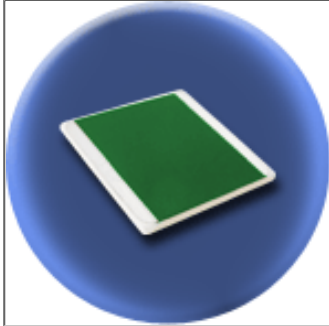
Part Dimensions



Component General, Inc.

P/N: CPR-1000-1

Stripline Chip Resistors



Mechanical Specifications

Substrate:

Beryllium Oxide Ceramic.

Resistive Element :

Proprietary thick film.

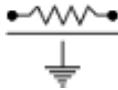
Terminals:

Proprietary Silver.

Tolerance:

± 0.010" unless specified.

Note: Power is based on infinite and ideal heat sink with the heat sink at 100°C



Electrical Specifications

Resistance Value:

10 - 1000 Ω as required. Other values available upon request.

Standard Resistance Tolerance:

± 2% Other tolerances available upon request.

Part Dimensions

