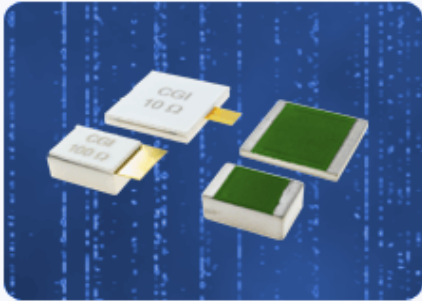


Component General, Inc.

■ Stripline Chip Terminations

■ MECHANICAL SPECIFICATIONS



Substrate : Beryllium Oxide Ceramic.
 Resistive Element : Proprietary Thick Film.
 Terminals : Proprietary Silver.
 Tolerance : ± .005" Except where noted (*), then ± .010"

high power chip Terminations product selection chart

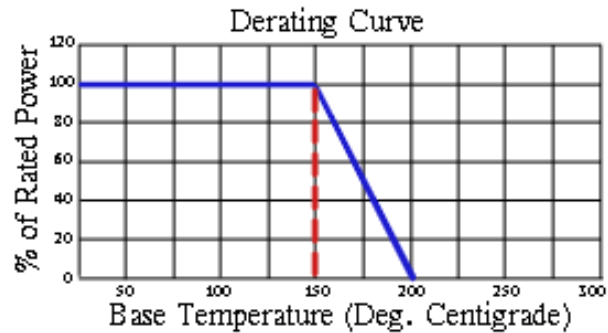
CGI P/N	Power	Resistance (Ohms)	Standard Tolerance
Note: Click a part number from the list below to see a data sheet for that part.			
CPT-40	40 W	10 - 1000	2 %
CPT-100-2	62 W	10 - 1000	2 %
CPT-100-2B	40 W	10 - 1000	2 %
CPT-230-1	150 W	10 - 1000	2 %
CPT-230-2	40 W	10 - 1000	2 %
CPT-250-1A	170 W	10 - 1000	2 %
CPT-250-1B	80 W	10 - 1000	2 %
CPT-250-2A	330 W	10 - 1000	2 %
CPT-250-2B	100 W	10 - 1000	2 %
CPT-250-2C	160 W	10 - 1000	2 %
CPT-375-1	350 W	10 - 1000	2 %
CPT-375-1B	250 W	10 - 1000	2 %
CPT-500-1*	500 W	10 - 1000	2 %
CPT-625-1*	700 W	10 - 1000	2 %
CPT-625-2*	185 W	10 - 1000	2 %
CPT-1000-1*	1000 W	10 - 1000	2 %

Component General, Inc.

P/N: CPT-40

Stripline Chip Terminations

Chip Terminations |
CPT-40



Mechanical Specifications

Substrate:

Beryllium Oxide Ceramic.

Resistive Element:

Proprietary thick film.

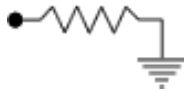
Terminals:

Proprietary Silver.

Tolerance:

± 0.005" unless specified.

Note: Power is based on infinite and ideal heat sink with the heat sink at 100°C



Electrical Specifications

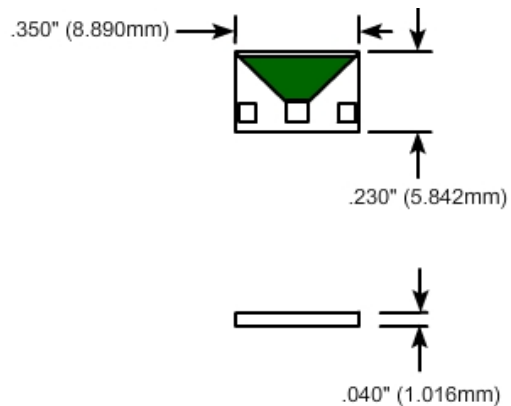
Resistance Value:

10 - 1000 Ω as required. Other values available upon request.

Standard Resistance Tolerance:

± 2% Other tolerances available upon request.

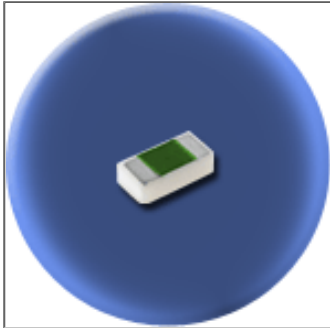
Part Dimensions



Component General, Inc.

P/N: CPT-100-2

Stripline Chip Terminations



Mechanical Specifications

Substrate:

Beryllium Oxide Ceramic.

Resistive Element:

Proprietary thick film.

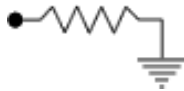
Terminals:

Proprietary Silver.

Tolerance:

± 0.005" unless specified.

Note: Power is based on infinite and ideal heat sink with the heat sink at 100°C



Electrical Specifications

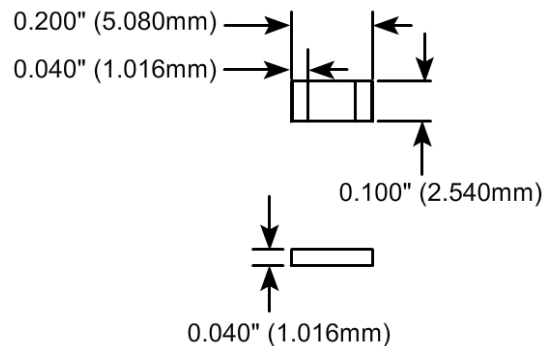
Resistance Value:

10 - 1000 Ω as required. Other values available upon request.

Standard Resistance Tolerance:

± 2% Other tolerances available upon request.

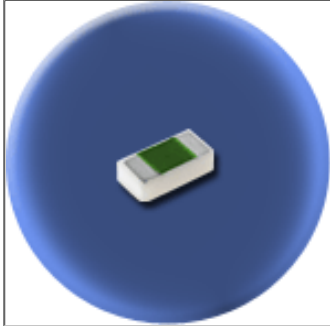
Part Dimensions



Component General, Inc.

P/N: CPT-100-2B

Stripline Chip Terminations



Mechanical Specifications

Substrate:

Beryllium Oxide Ceramic.

Resistive Element:

Proprietary thick film.

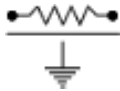
Terminals:

Proprietary Silver.

Tolerance:

± 0.005" unless specified.

Note: Power is based on infinite and ideal heat sink with the heat sink at 100°C



Electrical Specifications

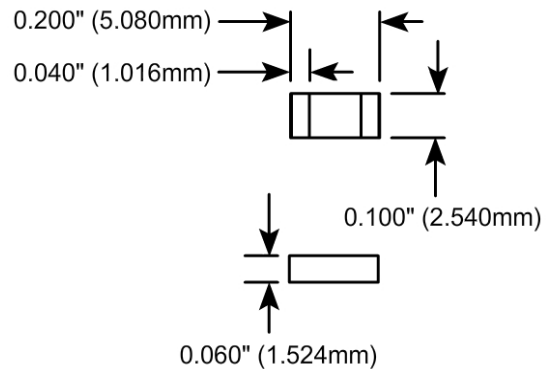
Resistance Value:

10 - 1000 Ω as required. Other values available upon request.

Standard Resistance Tolerance:

± 2% Other tolerances available upon request.

Part Dimensions

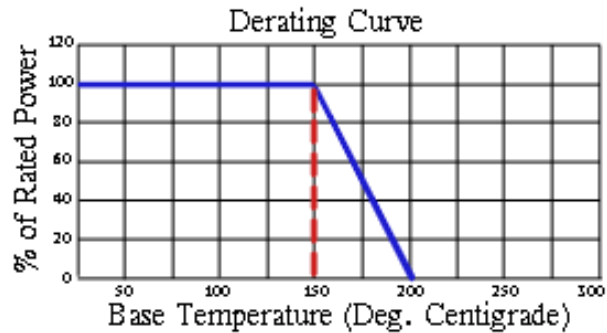


Component General, Inc.

P/N: CPT-230-1

Stripline Chip Terminations

Chip Terminations |
CPT-230-1



Mechanical Specifications

Substrate:

Beryllium Oxide Ceramic.

Resistive Element:

Proprietary thick film.

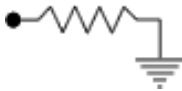
Terminals:

Proprietary Silver.

Tolerance:

± 0.005" unless specified.

Note: Power is based on infinite and ideal heat sink with the heat sink at 100°C



Electrical Specifications

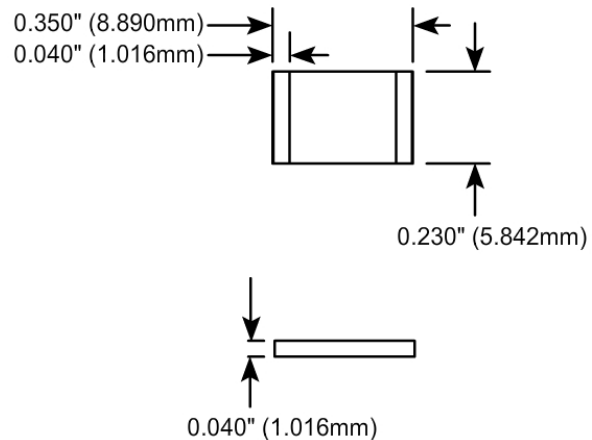
Resistance Value:

10 - 1000 Ω as required. Other values available upon request.

Standard Resistance Tolerance:

± 2% Other tolerances available upon request.

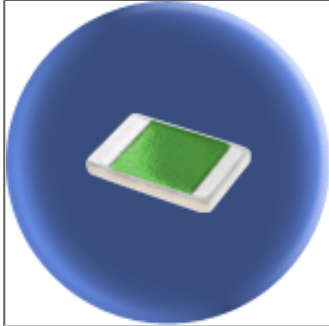
Part Dimensions



Component General, Inc.

P/N: CPT-230-2

Stripline Chip Resistors



Mechanical Specifications

Substrate:

Beryllium Oxide Ceramic.

Resistive Element :

Proprietary thick film.

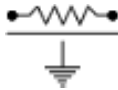
Terminals:

Proprietary Silver.

Tolerance:

± 0.005" unless specified.

Note: Power is based on infinite and ideal heat sink with the heat sink at 100°C



Electrical Specifications

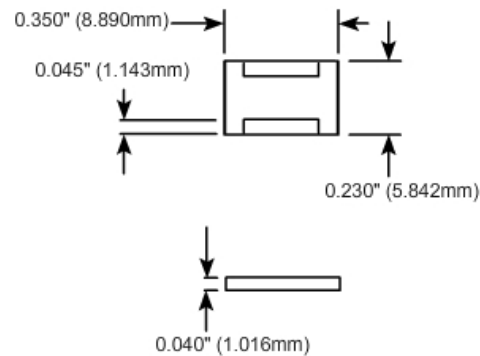
Resistance Value:

10 - 1000 Ω as required. Other values available upon request.

Standard Resistance Tolerance:

± 2% Other tolerances available upon request.

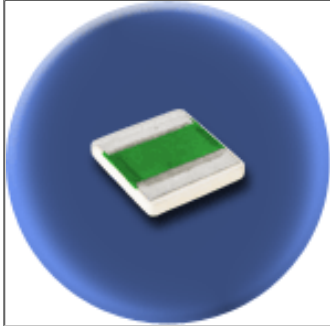
Part Dimensions



Component General, Inc.

P/N: CPT-250-1A

Stripline Chip Terminations



Mechanical Specifications

Substrate:

Beryllium Oxide Ceramic.

Resistive Element:

Proprietary thick film.

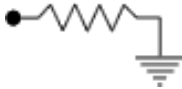
Terminals:

Proprietary Silver.

Tolerance:

± 0.005" unless specified.

Note: Power is based on infinite and ideal heat sink with the heat sink at 100°C



Electrical Specifications

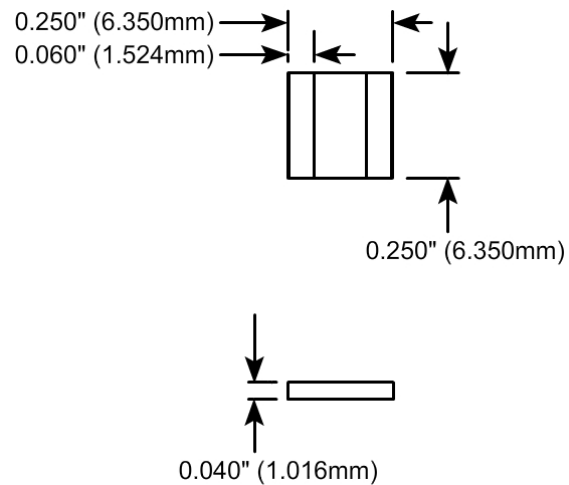
Resistance Value:

10 - 1000 Ω as required. Other values available upon request.

Standard Resistance Tolerance:

± 2% Other tolerances available upon request.

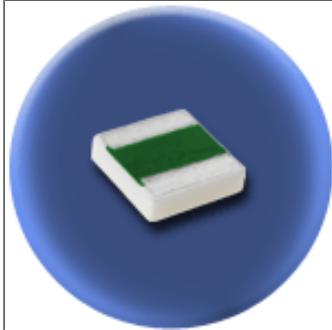
Part Dimensions



Component General, Inc.

P/N: CPT-250-1B

Stripline Chip Terminations



Mechanical Specifications

Substrate:

Beryllium Oxide Ceramic.

Resistive Element:

Proprietary thick film.

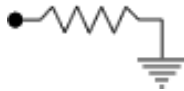
Terminals:

Proprietary Silver.

Tolerance:

± 0.005" unless specified.

Note: Power is based on infinite and ideal heat sink with the heat sink at 100°C



Electrical Specifications

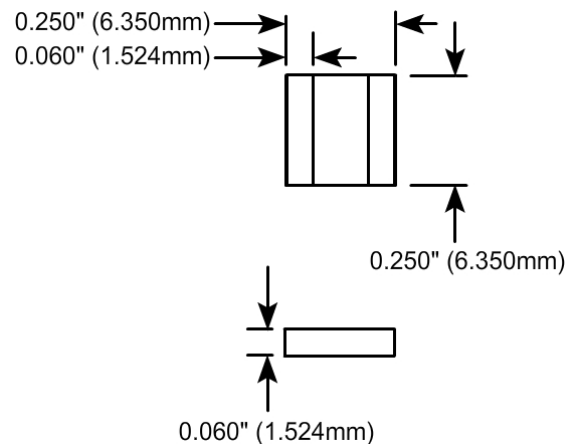
Resistance Value:

10 - 1000 Ω as required. Other values available upon request.

Standard Resistance Tolerance:

± 2% Other tolerances available upon request.

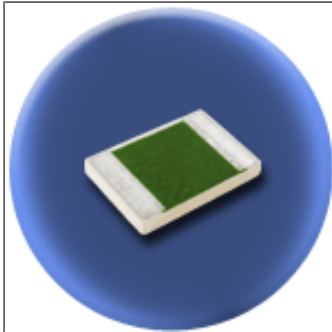
Part Dimensions



Component General, Inc.

P/N: CPT-250-2A

Stripline Chip Terminations



Mechanical Specifications

Substrate:

Beryllium Oxide Ceramic.

Resistive Element:

Proprietary thick film.

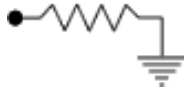
Terminals:

Proprietary Silver.

Tolerance:

± 0.005" unless specified.

Note: Power is based on infinite and ideal heat sink with the heat sink at 100°C



Electrical Specifications

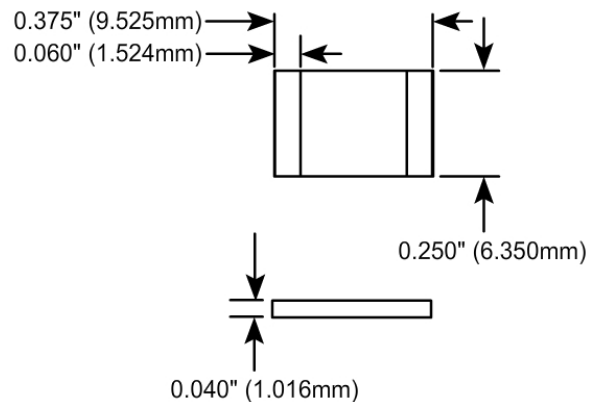
Resistance Value:

10 - 1000 Ω as required. Other values available upon request.

Standard Resistance Tolerance:

± 2% Other tolerances available upon request.

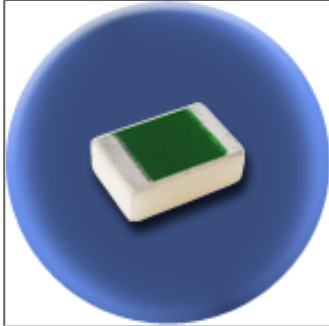
Part Dimensions



Component General, Inc.

P/N: CPT-250-2B

Stripline Chip Terminations



Mechanical Specifications

Substrate:

Beryllium Oxide Ceramic.

Resistive Element:

Proprietary thick film.

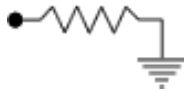
Terminals:

Proprietary Silver.

Tolerance:

± 0.005" unless specified.

Note: Power is based on infinite and ideal heat sink with the heat sink at 100°C



Electrical Specifications

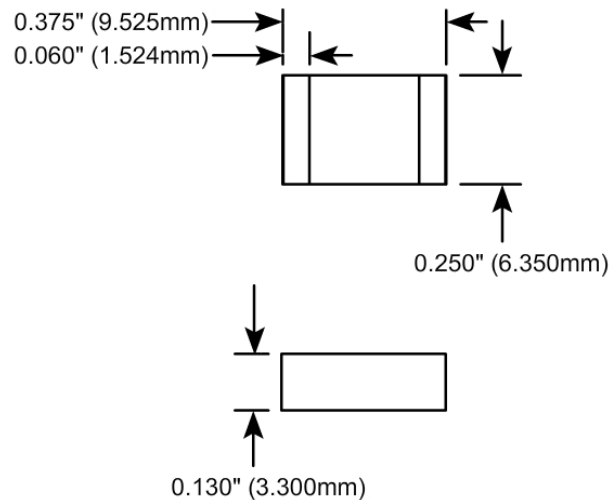
Resistance Value:

10 - 1000 Ω as required. Other values available upon request.

Standard Resistance Tolerance:

± 2% Other tolerances available upon request.

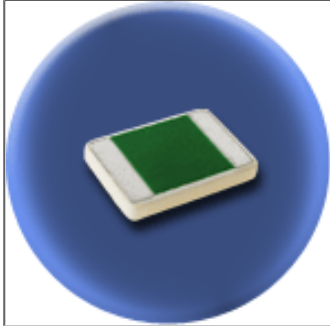
Part Dimensions



Component General, Inc.

P/N: CPT-250-2C

Stripline Chip Resistors



Mechanical Specifications

Substrate:

Beryllium Oxide Ceramic.

Resistive Element :

Proprietary thick film.

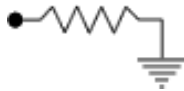
Terminals:

Proprietary Silver.

Tolerance:

± 0.005" unless specified.

Note: Power is based on infinite and ideal heat sink with the heat sink at 100°C



Electrical Specifications

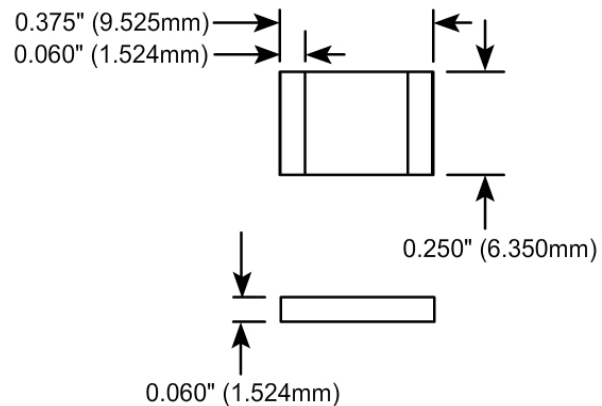
Resistance Value:

10 - 1000 Ω as required. Other values available upon request.

Standard Resistance Tolerance:

± 2% Other tolerances available upon request.

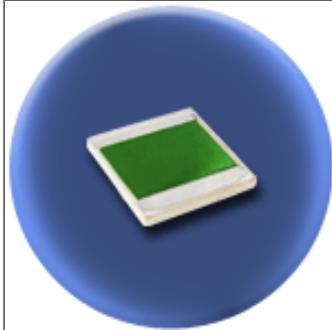
Part Dimensions



Component General, Inc.

P/N: CPT-375-1

Stripline Chip Terminations



Mechanical Specifications

Substrate:

Beryllium Oxide Ceramic.

Resistive Element:

Proprietary thick film.

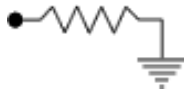
Terminals:

Proprietary Silver.

Tolerance:

± 0.005" unless specified.

Note: Power is based on infinite and ideal heat sink with the heat sink at 100°C



Electrical Specifications

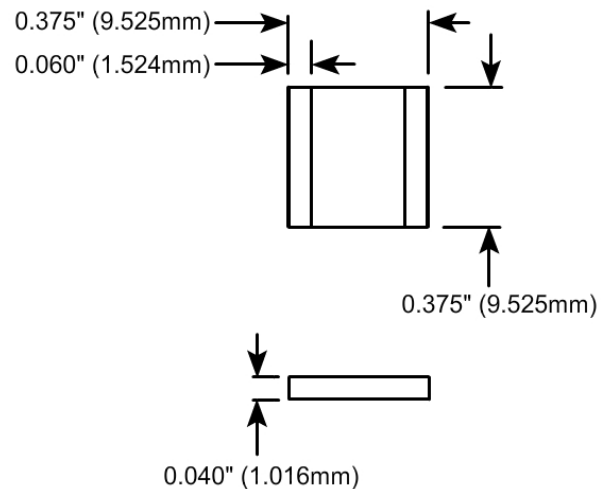
Resistance Value:

10 - 1000 Ω as required. Other values available upon request.

Standard Resistance Tolerance:

± 2% Other tolerances available upon request.

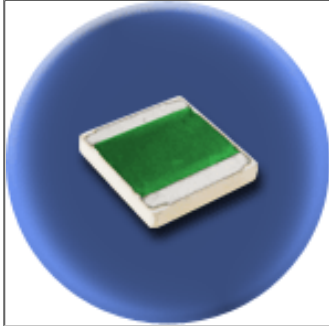
Part Dimensions



Component General, Inc.

P/N: CPT-375-1B

Stripline Chip Terminations



Mechanical Specifications

Substrate:

Beryllium Oxide Ceramic.

Resistive Element:

Proprietary thick film.

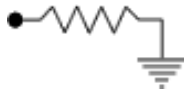
Terminals:

Proprietary Silver.

Tolerance:

± 0.005" unless specified.

Note: Power is based on infinite and ideal heat sink with the heat sink at 100°C



Electrical Specifications

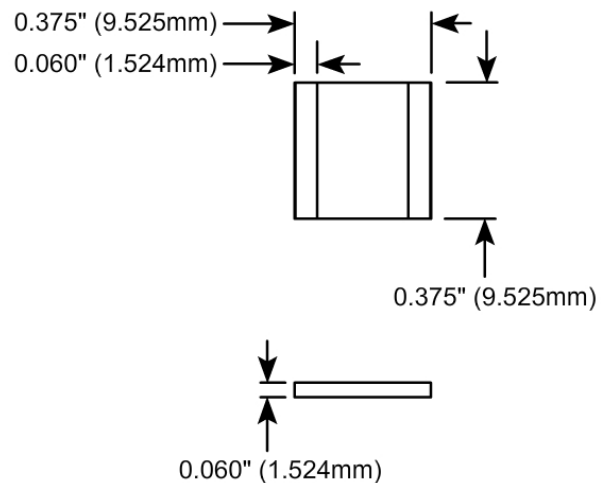
Resistance Value:

10 - 1000 Ω as required. Other values available upon request.

Standard Resistance Tolerance:

± 2% Other tolerances available upon request.

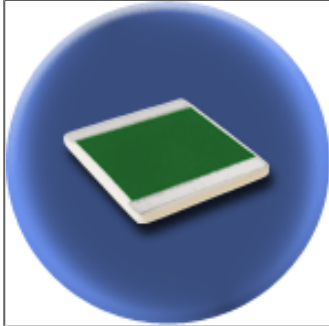
Part Dimensions



Component General, Inc.

P/N: CPT-500-1

Stripline Chip Terminations



Mechanical Specifications

Substrate:

Beryllium Oxide Ceramic.

Resistive Element:

Proprietary thick film.

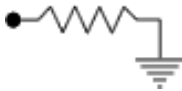
Terminals:

Proprietary Silver.

Tolerance:

± 0.010" unless specified.

Note: Power is based on infinite and ideal heat sink with the heat sink at 100°C



Electrical Specifications

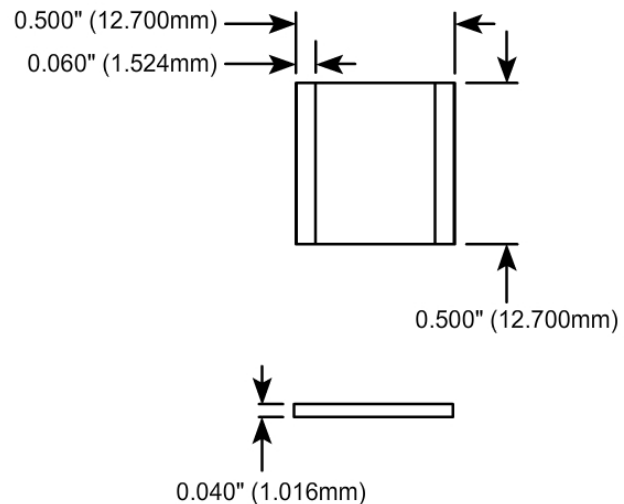
Resistance Value:

10 - 1000 Ω as required. Other values available upon request.

Standard Resistance Tolerance:

± 2% Other tolerances available upon request.

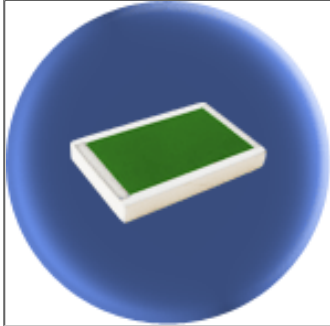
Part Dimensions



Component General, Inc.

P/N: CPT-625-1

Stripline Chip Terminations



Mechanical Specifications

Substrate:

Beryllium Oxide Ceramic.

Resistive Element:

Proprietary thick film.

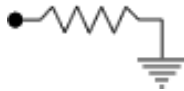
Terminals:

Proprietary Silver.

Tolerance:

± 0.010" unless specified.

Note: Power is based on infinite and ideal heat sink with the heat sink at 100°C



Electrical Specifications

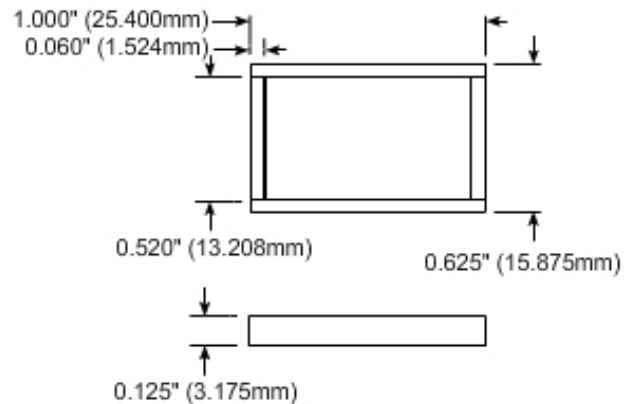
Resistance Value:

10 - 1000 Ω as required. Other values available upon request.

Standard Resistance Tolerance:

± 2% Other tolerances available upon request.

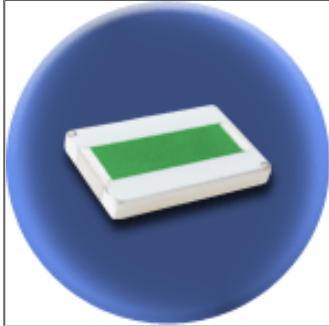
Part Dimensions



Component General, Inc.

P/N: CPT-625-2

Stripline Chip Terminations



Mechanical Specifications

Substrate:

Beryllium Oxide Ceramic.

Resistive Element:

Proprietary thick film.

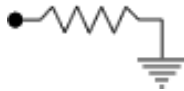
Terminals:

Proprietary Silver.

Tolerance:

± 0.010" unless specified.

Note: Power is based on infinite and ideal heat sink with the heat sink at 100°C



Electrical Specifications

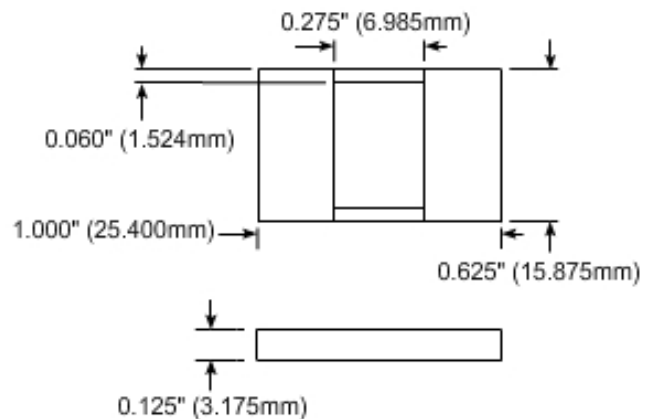
Resistance Value:

10 - 1000 Ω as required. Other values available upon request.

Standard Resistance Tolerance:

± 2% Other tolerances available upon request.

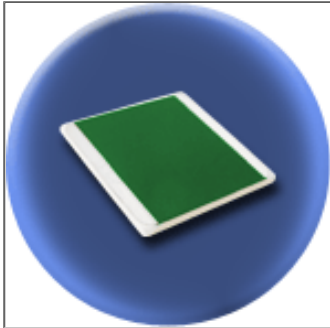
Part Dimensions



Component General, Inc.

P/N: CPT-1000-1

Stripline Chip Terminations



Mechanical Specifications

Substrate:

Beryllium Oxide Ceramic.

Resistive Element:

Proprietary thick film.

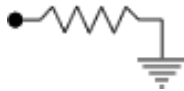
Terminals:

Proprietary Silver.

Tolerance:

± 0.010" unless specified.

Note: Power is based on infinite and ideal heat sink with the heat sink at 100°C



Electrical Specifications

Resistance Value:

10 - 1000 Ω as required. Other values available upon request.

Standard Resistance Tolerance:

± 2% Other tolerances available upon request.

Part Dimensions

